



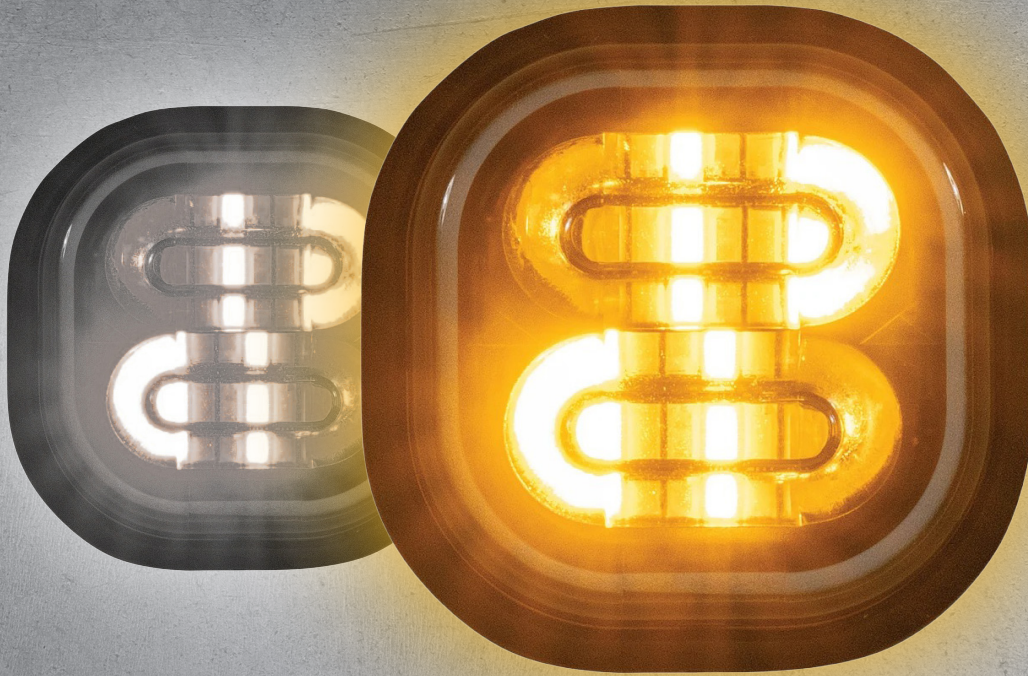
AMBER ESSENTIALS

2026



WHELEN®

VXE SMARTLED DUO



The Whelen VXE™ SmartLED offers the same sleek, low-profile design and powerful visibility as the original VXE warning light but includes an embedded flasher, making installation and setup simpler straight out of the box. It supports 27 built-in flash patterns, along with Scan-Lock™ and Steady-Lock® modes for flexible use. The light features the DUO™ design (8 LEDs) with directional light output and is available with either a clear or smoked lens. Whelen's most flexible lamp in terms of assembly.

Designed for durability, the VXE SmartLED functions across a wide temperature range (-40 °C to +65 °C) and has an IP67 rating for water/dust protection. It is certified to SAE Class 1 and California Title 13 standards and comes with a 10-year warranty. Operating voltage is 10–30 V DC, with current draw of 0.83 A peak and 0.52 A average. A 9-inch pigtail is included for wiring.

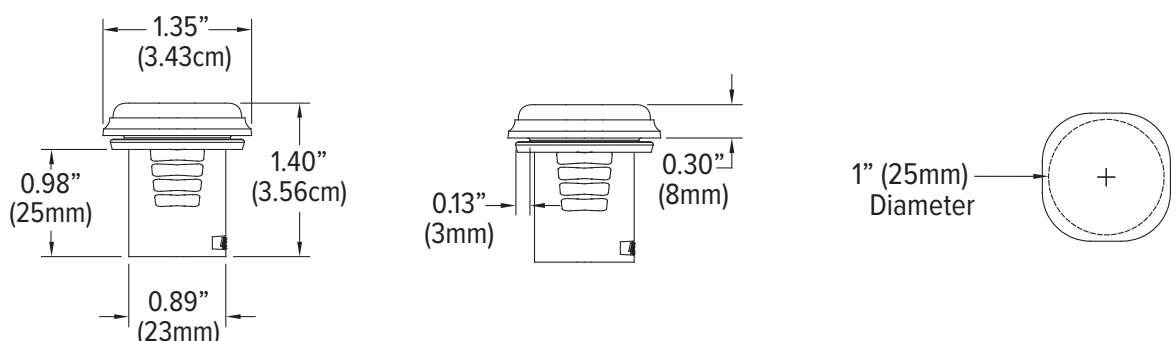
MODELS:

LS1032-24

- 10-30V
- SAE

LS1032-32

- 10/30V
- ECE





WHELEN®

ION MINI T-SERIES SOLO



The Whelen Mini T-Series lighthouse is an ultra-compact, high-performance LED warning light designed for utility, and commercial vehicles. It delivers powerful visibility and reliability in a low-profile design, making it ideal for discreet installations where space is limited without compromising performance.

Featuring advanced Linear Super-LED optics, the Mini T-Series provides bright and consistent warning illumination with excellent visibility in all conditions. The lighthouse is available in SOLO, DUO, and TRIO configurations, offering flexible colour combinations to meet different operational requirements. Multiple Scan-Lock flash patterns allow users to adapt the warning signal to specific applications and local regulations.

MODELS:

LS1052-40

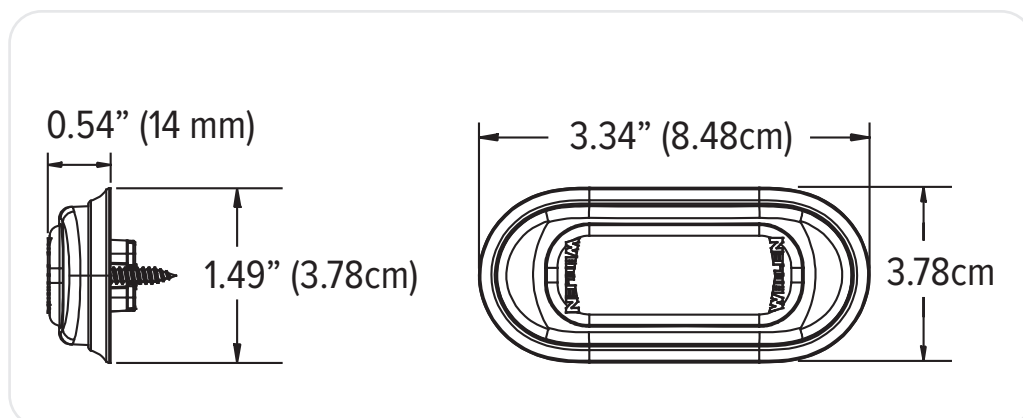
- 10-30V
- SAE

LS1052-43

- 24V
- ECE

LS1052-42

- 12V
- ECE





WHELEN®

ION MINI T-SERIES SURFACE MOUNT DUO & TRIO



The Whelen Mini T-Series lighthead is an ultra-compact, high-performance LED warning light designed for emergency, utility, and commercial vehicles. It delivers powerful visibility and reliability in a low-profile design, making it ideal for discreet installations where space is limited without compromising performance.

Featuring advanced Linear Super-LED optics, the Mini T-Series provides bright and consistent warning illumination with excellent visibility in all conditions. The lighthead is available in SOLO, DUO, and TRIO configurations, offering flexible colour combinations to meet different operational requirements. Multiple Scan-Lock flash patterns allow users to adapt the warning signal to specific applications and local regulations.

Built for demanding environments, the Mini T-Series includes hard-coated lenses and patented E Block sealing technology to protect against moisture, dust, and harsh weather.

MODELS:

LS1052-41

- Amber/White
- 10-30V
- SAE

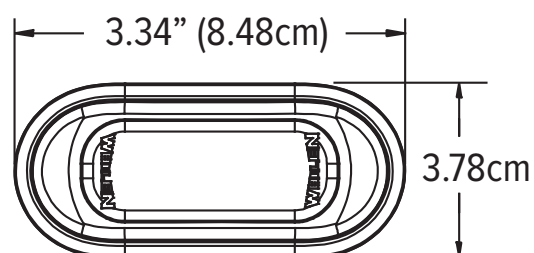
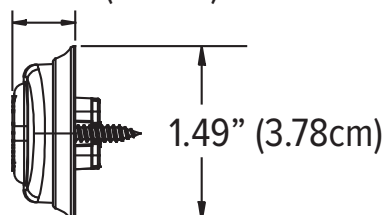
LS1052-46

- Blue/Amber
- 10-30V
- SAE

LS1052-47

- Blue/Amber/White
- 10-30V
- SAE

0.54" (14 mm)





WHELEN®

ION T-SERIES SURFACE MOUNT SOLO



The Whelen T-Series™ lightheades deliver powerful warning or illumination output in an ultra-compact, low-profile form. With a depth of only 12.7 mm, they are ideal for vehicle installations where minimal visual footprint and seamless integration are essential.

Built for performance, T-Series model configurations support 36 Scan-Lock™ flash patterns and automatically engage Steady-Lock™ when paired with a Core® control system. The patented E Block™ technology ensures air and moisture are kept out of the light domain.

Equipped with Linear Super-LED® optics, robust electronics coated to resist moisture, vibration, and corrosion, and hard-coated lenses built to endure sand, sun, salt, and road chemicals, T-Series is engineered for real-world rigors. Sync capabilities with other Whelen devices make it a flexible and modern addition to any emergency vehicle lighting suite.

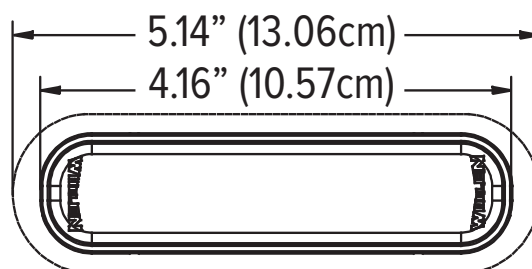
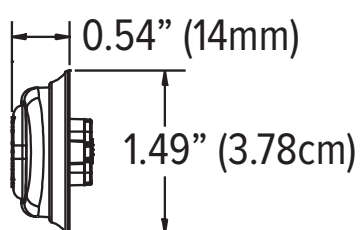
MODELS:

LS1051-30

- Amber
- 10-30V
- SAE

LS1051-34

- Amber/White
- 10-30V
- SAE





WHELEN®

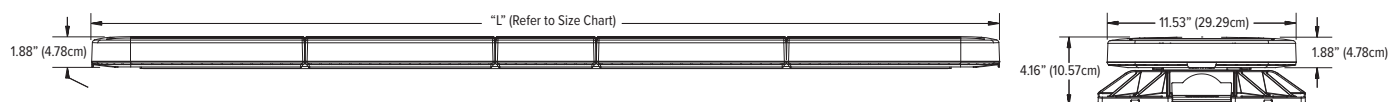
EDGE® 9XS & 9XT WECANX SOLO



The Whelen® 9X EDGE® WeCanX™ DUO lightbar features a completely redesigned structure, developed to deliver a more robust and modern appearance while offering a wide range of advanced programming capabilities. Built on Whelen's latest WeCanX™ platform, the lightbar ensures seamless integration, flexibility, and future-ready performance for professional vehicle installations.

Equipped with 8 LED modules as standard, the lightbar provides a solid foundation for configurable warning and work lighting. Through the WeCanX™ system, users can program a variety of functions such as work lights, cruise lights, and customized flash patterns to meet specific operational requirements.

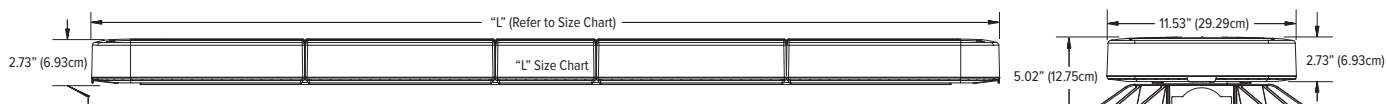
The system is fully compatible with Whelen® CenCom Core® DVI™ (Dynamic Variable Intensity™), which automatically adjusts light intensity to reduce glare and light pollution around the vehicle when warning lights are active. This enhances safety for both operators and surrounding personnel while maintaining high visibility and performance.



EDGE 9X SHORT LIGHTBAR

25"	31"	36"	43"	48"	54"	59"	66"	70"
(63.50cm)	(78.74cm)	(91.44cm)	(109.22cm)	(121.92cm)	(137.16cm)	(149.86cm)	(167.64cm)	(177.80cm)

EDGE 9X TALL LIGHTBAR





WHELEN®

EDGE® 9XS & 9XT WECANX SOLO



For full access to programming capabilities and system control, the lightbar should be paired with a Whelen® control system or control head, allowing complete customization and integration into advanced vehicle setups.

The lightbar is delivered with 4 corner modules and 4 forward/rear-facing LED modules as standard and is therefore not a complete configuration. The system can be expanded and customized with additional modules such as:

- LSR01026L09410A (Sub Assy Solo Directional AMB 9XS Edge Solo)
- LSR01026L09510A (Sub Assy Solo Directional AMB 9XT Edge Solo)

This modular approach allows customers to tailor the lightbar configuration to specific operational needs and vehicle requirements.

9XS MODELS:

LS5080-60

- A/A/A/A
- 48"
- SAE

LS5080-61

- A/A/A/A
- 48"
- ECE R65

LS5080-62

- A/A/A/A
- 54"
- SAE

LS5080-63

- A/A/A/A
- 54"
- ECE R65

9XT MODELS:

LS5080-64

- A/A/A/A
- 48"
- SAE

LS5080-65

- A/A/A/A
- 48"
- ECE R65

LS5080-66

- A/A/A/A
- 54"
- SAE

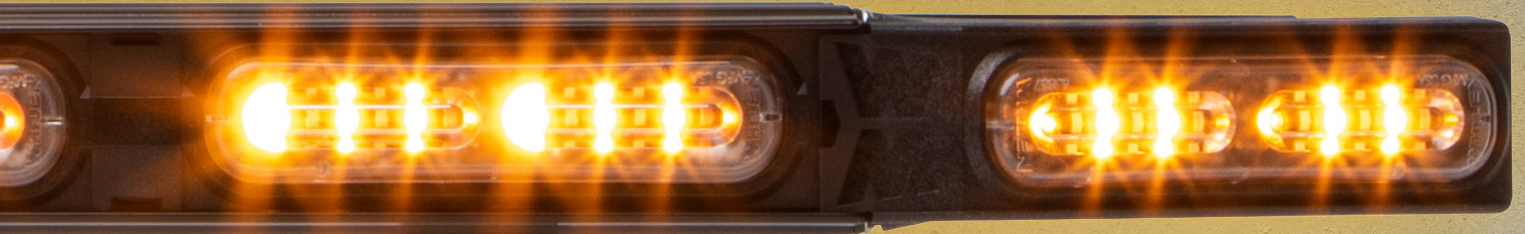
LS5080-67

- A/A/A/A
- 54"
- ECE R65



WHELEN[®]

WECANX™ 2250 FLAT



The Whelen WeCanX 2250 is a slim, modular LED lightbar designed to deliver advanced warning performance, programmability, and fleet connectivity. Built on Whelen's T-Series lighthouse platform and powered by WeCanX technology, it offers flexible configuration and precise control for emergency, law enforcement, utility, and commercial vehicles.

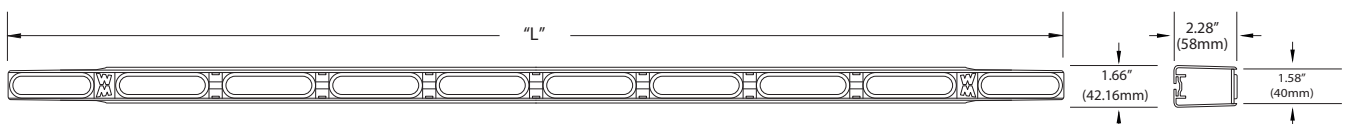
The lightbar combines high-output LED optics with a low-profile and lightweight design, making installation faster while reducing overall vehicle weight. Its modular architecture allows users to customize lighthouse placement, colours, and functionality using the WeCad design platform. This enables tailored warning solutions that meet specific operational needs and regulatory requirements.

The WeCanX control system provides advanced communication, synchronization, and programming across vehicle systems. Operators can configure flash patterns, intensity levels, and operating modes through Whelen Command, enabling consistent warning performance and improved situational awareness across fleets.

Designed for demanding environments, the WeCanX 2250 features hard-coated lenses and patented E Block sealing technology that protects internal components from moisture, dust, and harsh weather. Dynamic Variable Intensity technology automatically adjusts light output for improved nighttime visibility and safety. The slim and aerodynamic profile also supports aerial recognition and modern vehicle integration.

MODELS: LS7001-07

- 54"
- 12V
- SAE





WHELEN®

ARGES® SUPER-LED™ SPOT-FLOODLIGHT FLAT



The Whelen Arges® Remote Spot- and Floodlight is a high-performance, remotely controlled searchlight designed for emergency vehicles, utility fleets, and professional response teams. Built with advanced optical technology and precision control, it delivers powerful illumination exactly where it is needed during critical operations.

Arges® provides full directional control with 360° continuous rotation and a 180° tilt range, allowing operators to quickly position the beam for search, scene lighting, or situational awareness. The advanced Proclera® silicone optic technology maximizes light output and focus, producing intense and precise illumination for long-range visibility.

Designed with safety and usability in mind, the compact spotlight minimizes blind spots when installed on vehicles and uses a collision-safe external control head instead of a traditional interior handle. The light integrates seamlessly with Whelen control systems such as CenCom Core™ and WeCanX™, while also supporting standalone operation using the included control head.

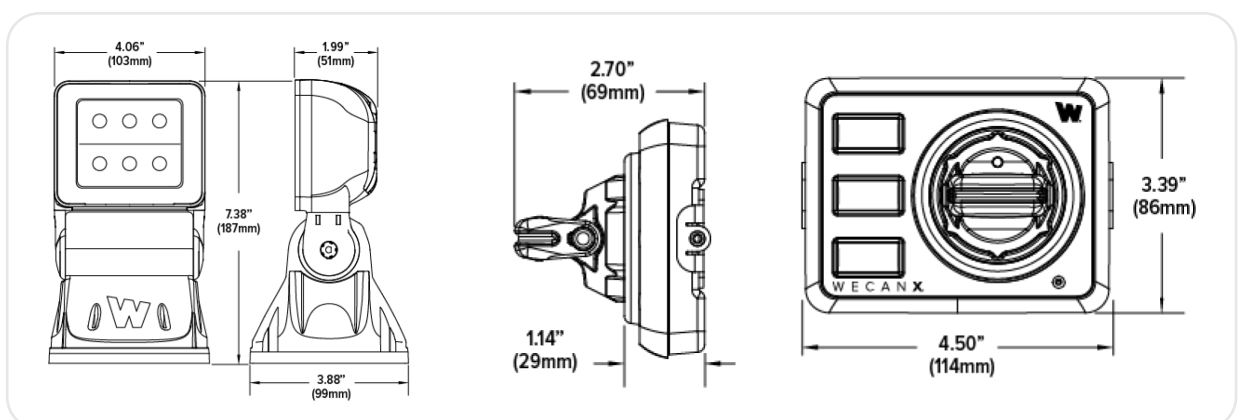
MODELS:

LS1054-23

- Spot & floodlight
- 12V / 24V

LS1054-21

- Mount





WHELEN®

CENCOM CORE-C CONTROL PANEL



The Whelen Core-C® Control System is a compact and intelligent vehicle control solution designed to manage warning lights and auxiliary equipment on emergency, utility, and work vehicles. Combining the intelligence of a WeCanX® controller with the functionality of a control head in a single unit, Core-C offers a streamlined and efficient solution for modern vehicle lighting systems.

Designed for plug-and-play installation, Core-C simplifies vehicle integration while delivering advanced safety and automation features. The system enables seamless communication between connected devices through Whelen's WeCanX® CAN-based network, allowing synchronized operation of lighting systems and other vehicle equipment. Core-C supports advanced technologies such as Vehicle-to-Vehicle (V2V) Sync and Dynamic Variable Intensity™ (DVI™) flash patterns, improving visibility and situational awareness at emergency scenes or roadside operations. It can also integrate with the Whelen Cloud Platform® and Whelen Command® software for configuration, firmware updates, and advanced system management.

MODELS:

LS4900-02

- 60 x 256 x 194 mm
- 10-30V
- ECE
- SAE

- Compact control system combining controller and control head
- Plug-and-play installation for simplified vehicle integration
- Powered by Whelen WeCanX® CAN-based communication system
- Supports Dynamic Variable Intensity™ (DVI™) flash patterns
- Compatible with Vehicle-to-Vehicle (V2V) synchronization for coordinated lighting
- Compatible with Whelen Command® software for programming
- Whelen Cloud Platform® compatibility for advanced system management
- Supports multiple WeCanX devices and expansion modules
- Designed for work trucks, utility fleets, and emergency vehicles



WHELEN®

WECANX 16 OUTPUT EXPANSION MOD



The Whelen Core® Output 16 Expansion Module is designed to extend the capabilities of Whelen Core® control systems by providing additional programmable outputs for vehicle lighting and auxiliary equipment. Integrated into the WeCanX® communication network, this module allows installers to easily expand system functionality while maintaining centralized control through the Core platform.

With sixteen programmable outputs and four digital inputs, the module enables flexible control of warning lights, work lights, sirens, and other electronic devices. The expansion module connects seamlessly with the Core system and can be configured through Whelen Command® software, allowing operators to customize system behavior to match the specific requirements of emergency vehicles, service fleets, or work trucks.

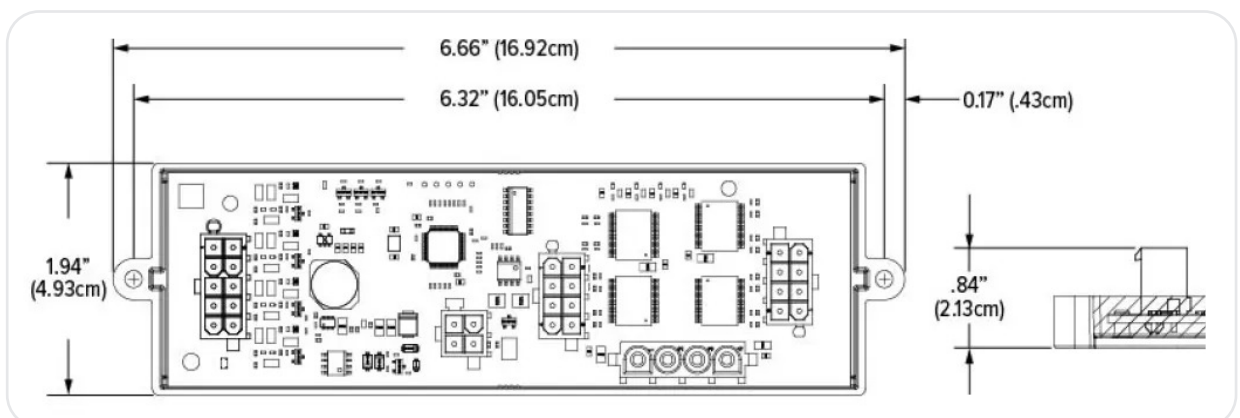
Engineered for reliability in demanding vehicle environments, the module includes built-in protections and diagnostic features that ensure stable operation and simplified troubleshooting. The Output 16 Expansion Module is ideal for applications requiring additional control capacity while maintaining the advanced automation and synchronization features of the Whelen Core ecosystem.

Also available as 10-30V.

MODELS:

LS4900-11

- CEM16
- 12.8V





Ferno Norden, founded in 1979, is a leading provider of specialized equipment for prehospital care, industrial safety, rescue, and funeral services across the Nordic region. With decades of experience and a commitment to safety, quality, and innovation, our products are trusted by emergency services, defense forces, industrial operators, and healthcare providers. Our extensive offerings also include advisory services and customized installations for specialized vehicles.



With dedicated teams and offices across several European countries, Ferno Norden is committed to meeting the safety, rescue, and emergency needs of the Nordic and Baltic regions. Ferno Norden owns and operates its sales offices in **Norway**, **Sweden**, **Denmark**, and **Finland**, while trusted local sales teams represent us in the other countries such as **Iceland**, **Lithuania**, **Latvia** and **Estonia**, ensuring consistent expertise and support tailored to each region. For customers in the **Faroe Islands** and **Greenland**, sales and support are handled through our Danish office.



Whether you need product information, assistance with an order, or guidance on selecting the right solutions for your organization, our teams are ready to help.



Find your local sales office by scanning the QR code or visit www.fernonorden.com/contact